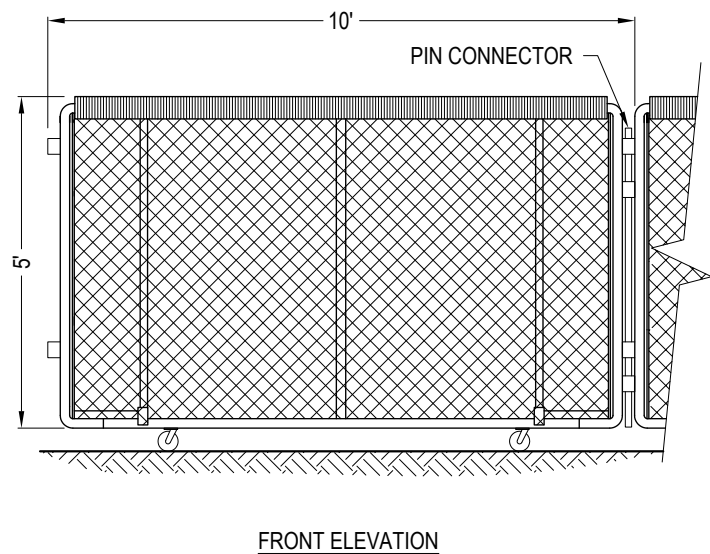
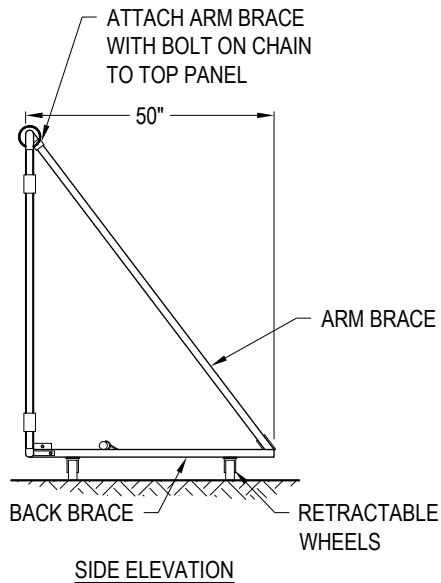
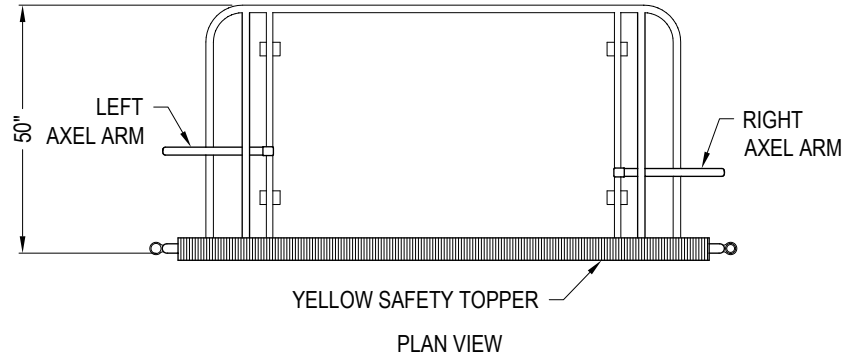


SELECT DESIRED CHAIN LINK FENCING FABRIC COLOR:

- GREEN
- BLACK

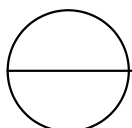


SPECIFICATIONS:

- WEIGHT: 175 LBS
- FRAME: 1 5/8" GALVANIZED STEEL PIPE.
- 8 GAUGE VINYL COATED CHAIN LINK FENCING.
- EACH PANEL HAS A REAR FRAME THAT INCLUDES RETRACTABLE 1 1/2" WIDE X 6" TALL SOLID RUBBER WHEELS FOR EASY TRANSPORT.
- EACH PANEL IS SHIPPED COMPLETELY FABRICATED, SOME ASSEMBLY REQUIRED FOR REAR FRAME AND WHEELS.
- OPTIONAL 2" WIDE WHEELS FOR NATURAL GRASS FIELDS.
- *ASSEMBLY REQUIRED - 15-30 MIN. PER PANEL.

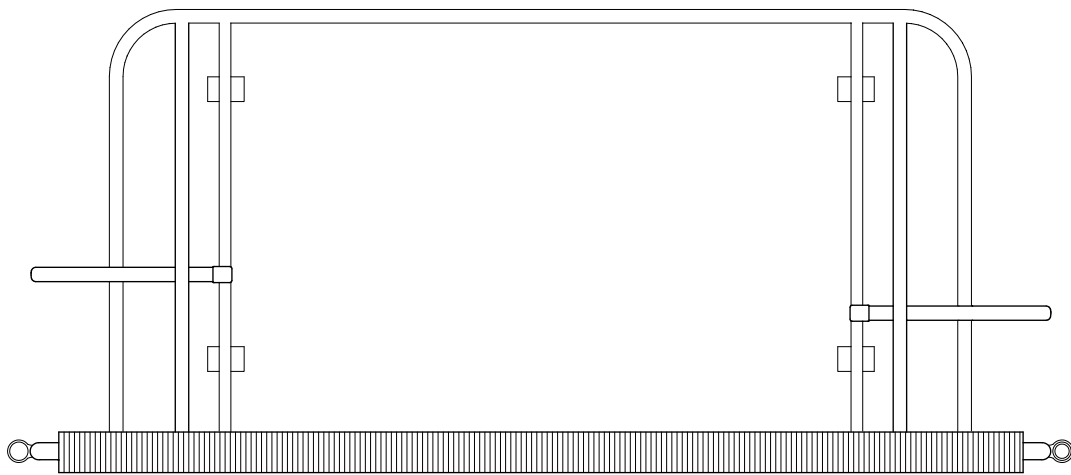
NOTES:

1. INSTALLATION TO BE COMPLETED IN ACCORDANCE WITH MANUFACTURER'S SPECIFICATIONS.
2. DO NOT SCALE DRAWING.
3. THIS DRAWING IS INTENDED FOR USE BY ARCHITECTS, ENGINEERS, CONTRACTORS, CONSULTANTS AND DESIGN PROFESSIONALS FOR PLANNING PURPOSES ONLY. THIS DRAWING MAY NOT BE USED FOR CONSTRUCTION.
4. ALL INFORMATION CONTAINED HEREIN WAS CURRENT AT THE TIME OF DEVELOPMENT BUT MUST BE REVIEWED AND APPROVED BY THE PRODUCT MANUFACTURER TO BE CONSIDERED ACCURATE.
5. CONTRACTOR'S NOTE: FOR PRODUCT AND COMPANY INFORMATION VISIT www.CADdetails.com/info AND ENTER REFERENCE NUMBER 5113-003.



WHEELED FENCE

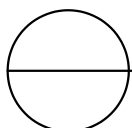
DELUXE SPORTAFENCE™ PORTABLE FENCING SYSTEM WITH RETRACTABLE WHEELS



PLAN VIEW

NOTES:

1. INSTALLATION TO BE COMPLETED IN ACCORDANCE WITH MANUFACTURER'S SPECIFICATIONS.
2. DO NOT SCALE DRAWING.
3. THIS DRAWING IS INTENDED FOR USE BY ARCHITECTS, ENGINEERS, CONTRACTORS, CONSULTANTS AND DESIGN PROFESSIONALS FOR PLANNING PURPOSES ONLY. THIS DRAWING MAY NOT BE USED FOR CONSTRUCTION.
4. ALL INFORMATION CONTAINED HEREIN WAS CURRENT AT THE TIME OF DEVELOPMENT BUT MUST BE REVIEWED AND APPROVED BY THE PRODUCT MANUFACTURER TO BE CONSIDERED ACCURATE.
5. CONTRACTOR'S NOTE: FOR PRODUCT AND COMPANY INFORMATION VISIT www.CADdetails.com/info AND ENTER REFERENCE NUMBER 5113-013.



PORTABLE FENCING SYSTEM

FENCE PANEL CAD BLOCK